



# Porsche wall mounts

Wall mount base and charging dock

11/2023

Porsche, the Porsche Crest, Panamera, Cayenne and Taycan are registered trademarks of Dr. Ing. h.c. F. Porsche AG.

Printed in Germany.

Reprinting – even of excerpts – or duplication of any kind are only permissible with the written authorisation of Dr. Ing. h.c. F. Porsche AG.

© Dr. Ing. h.c. F. Porsche AG

Porscheplatz 1

70435 Stuttgart

Germany

### Driver's Manual

Always keep this operating manual and hand it over to the new owner if you sell your charger.

Due to different requirements in various countries, the information in the thumb index tabs of this manual will be different. To ensure that you are

reading the thumb index tab that applies to your country, compare the article number of the charger shown in the “Technical Data” section with the article number on the identification plate on the charger.

### Suggestions

Do you have any questions, suggestions or ideas regarding your vehicle or this manual?

Please write to us:

Dr. Ing. h.c. F. Porsche AG

Vertrieb Customer Relations

Porscheplatz 1

70435 Stuttgart

Germany

### Equipment

Because our vehicles undergo continuous development, equipment and specifications may not be as illustrated or described by Porsche in this

manual. Items of equipment are not always according to the standard scope of delivery or country-specific vehicle equipment

For more information on retrofit equipment, please contact a qualified specialist workshop. Porsche recommends a Porsche partner as they have trained workshop personnel and the necessary parts and tools.

Because of different legal requirements in individual countries, the equipment in your vehicle may vary from what is described in this manual. If your Porsche is fitted with any equipment not described in this manual, your qualified specialist workshop will be glad to provide information on the correct operation and care of the items concerned.

# About this Owner's Manual

## Warning notices and symbols

Various types of Warning notices and symbols are used in this Driver's Manual.



**DANGER**

Serious injury or death

Failure to observe Warning notices in the "Danger" category will result in serious injury or death.



**WARNING**

Possible serious injury or death

Failure to observe Warning notices in the "Warning" category can result in serious injury or death.



**CAUTION**

Possible moderate or minor injury

Failure to observe Warning notices in the "Caution" category can result in moderate or minor injuries.

**NOTICE**

Possible vehicle damage

Failure to observe Warning notices in the "Notice" category can result in damage to the vehicle.



**Information**

Additional information is indicated by "Information".

- ✓ Conditions that must be met in order to use a function.
- ▶ Instruction that you must follow.

1. If an instruction comprises several steps, these are numbered.

2. Instructions that you must follow on the central display.

▶ Notice on where you can find further important information on a topic.

## Further Information

You can access the full Driver's Manual at the following web address:

<https://tinyurl.com/porsche-e-help>



## Table of contents

<b>Selecting the installation location</b> .....	3
<b>Required tools</b> .....	3
<b>Installing the wall mount base</b>	
Installing the basic wall mount .....	3
Installing the connector fastener .....	4
Attaching the control unit to the wall mount .....	4
<b>Installing the charging dock</b>	
Installation without spacer .....	5
Installation with spacer .....	5
<b>Opening and locking the charging dock</b> .....	6
<b>Attaching and removing the control unit to and from the charging dock</b> .....	6
<b>Technical Data</b> .....	8
<b>Index</b> .....	10

## Selecting the installation location



Electric shock, fire

Improper use of the charger or non-compliance with the safety instructions may result in short circuits, electric shocks, explosions, fire or burns.

- ▶ Do not install the basic wall mount or the charging dock in potentially explosive areas.
- ▶ Before installing the basic wall mount or the charging dock, make sure that there are no electric cables in the vicinity of the mounting holes to be drilled.
- ▶ To reduce the risk of explosion - particularly in garages - make sure that the control unit is located at least 50 cm above the floor during charging.
- ▶ Observe the locally applicable electrical installation regulations, fire protection measures, accident prevention regulations and escape routes.

The standard wall mount and charging dock are designed for indoor or outdoor installation. The following criteria must be considered when selecting a suitable installation location:

- Ideally, install the electrical socket or supply line, the standard wall mount or charging dock in a covered area protected from direct sunlight and rain (e.g. inside a garage).
- The distance of the electrical socket from the floor and ceiling should be selected in compliance with national regulations and standards to ensure comfortable use.
- Do not install the standard wall mount or charging dock under suspended or hanging objects.

- Do not install the standard wall mount or charging dock in stables, livestock buildings or places where ammonia gases occur.
- Install the standard wall mount or charging dock on a smooth surface.
- To ensure secure fastening, check the wall condition before installing.
- Install the standard wall mount or charging dock as close as possible to the preferred vehicle parking position. Consider the orientation of the vehicle.
- Install the standard wall mount or charging dock so that it is not near pathways and the supply cables do not cross any pathways.
- Install the standard wall mount or charging dock so the distance between the power plug and power socket does not exceed the length of the available supply cable.

## Required tools

- Level
- Power drill or power hammer
- Screwdriver

## Installing the wall mount base

### Installing the basic wall mount

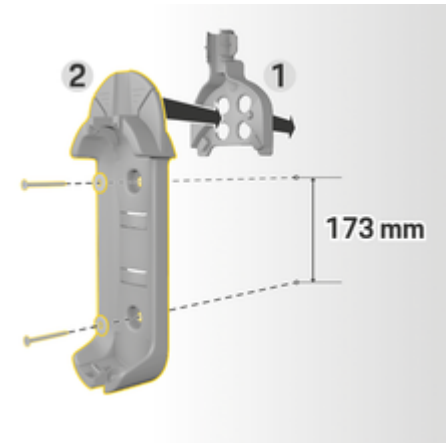


Fig. 1: Drilling dimensions

1. Mark the drill holes on the wall.
2. Drill the mounting holes and insert dowels.
3. Press the standard wall mount **2** (Fig. 1) into the cable guide **1** (Fig. 1) from the front.
4. Screw the basic wall mount onto the wall.

### **i** Information

Attach the wall mount at a height of at least 1 m.

### Installing the connector fastener

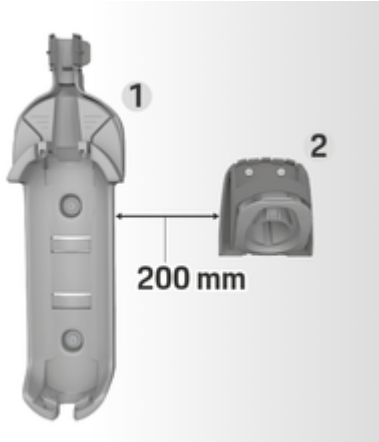


Fig. 2: Distance between wall mount and connector fastener  
When installing the connector fastener, ensure a distance of 200 mm from the basic wall mount.

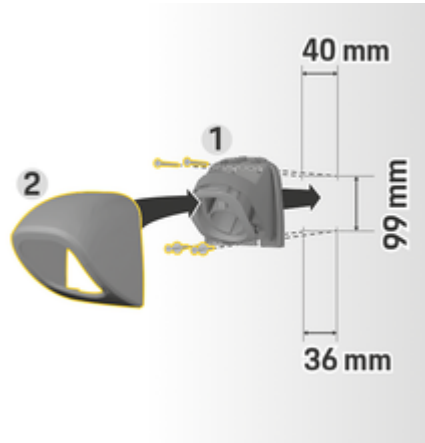


Fig. 3: Drilling dimensions

1. Remove the connector fastener **1** (Fig. 3) from the cover **2** (Fig. 3).
2. Mark the drill holes on the wall.
3. Drill the mounting holes and insert wall plugs.
4. Screw the connector fastener **1** (Fig. 3) onto the wall.
5. Fit the cover **2** (Fig. 3) onto the connector fastener **1** (Fig. 3) from below and push up.

### Attaching the control unit to the wall mount



Fig. 4: Attaching the control unit

1. Route the vehicle cable through the lower opening of the base of the wall mount, place the bottom of the control unit on the locking tab and push back to engage.
2. Guide the supply cable through the upper opening of the base of the wall mount and lock the circlip by pushing it to the left.
3. Insert the vehicle charging plug into the connector fastener.

## Installing the charging dock Installation without spacer

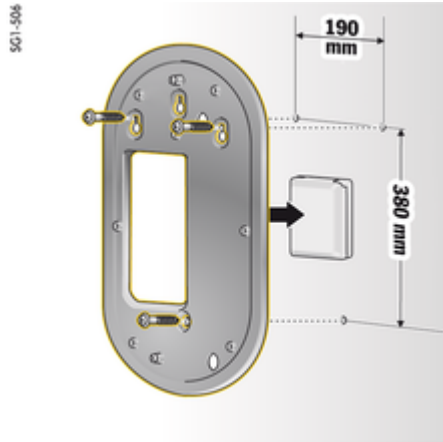


Fig. 5: Drilling dimensions

1. Mark the drill holes on the wall.
2. Drill the mounting holes and insert wall plugs.
3. Screw the assembly plate to the wall.

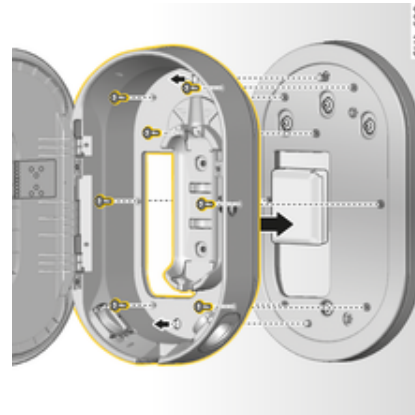


Fig. 6: Screwing charging dock to assembly plate

4. Screw the charging dock to the assembly plate.

## Installation with spacer

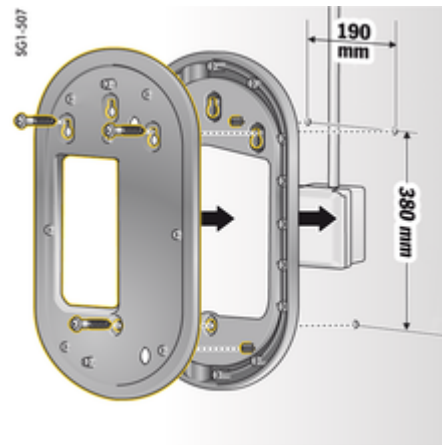


Fig. 7: Drilling dimensions

1. Mark the drill holes on the wall.
2. Drill the mounting holes and insert wall plugs.
3. Screw the assembly plate and spacer to the wall.

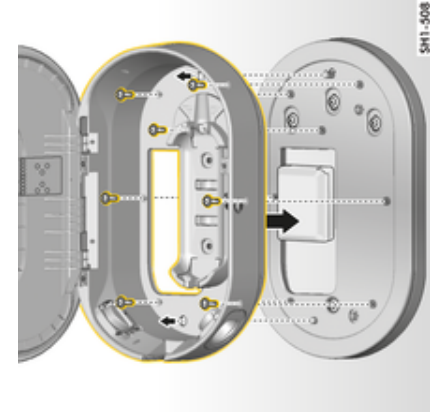


Fig. 8: Screwing charging dock to assembly plate

4. Screw the charging dock to the assembly plate.

### Opening and locking the charging dock

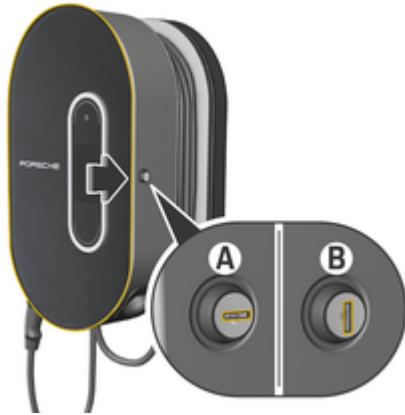


Fig. 9: Charging dock

#### Opening the charging dock

- ▶ Press the door of the charging dock in the **direction of the arrow**. The door opens automatically.

#### Closing the charging dock

- ▶ Close the door of the charging dock and press in the **direction of the arrow**.

#### Locking the charging dock

- ▶ Turn the lock to position **A**(Fig. 9).

#### Unlocking the charging dock

- ▶ Turn the lock to position **B**(Fig. 9).

### Attaching and removing the control unit to and from the charging dock

#### NOTICE

Damage to the charger

- ▶ Always keep the doors closed.
- ▶ Do not place objects on the door or on the charging dock.

#### Attaching the control unit to the charging dock

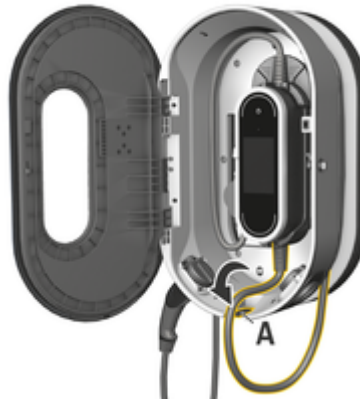


Fig. 10: Attaching the control unit

1. Open the door of the charging dock.
2. Place the bottom of the control unit in the locking tabs of the charging dock and push back to engage.

3. Guide the vehicle cable through the opening **A** (Fig. 10) and wrap any excess cable around the charging dock.
4. Insert the supply cable into the electrical socket.
5. Close the door of the charging dock.

#### Removing the control unit from the charging dock

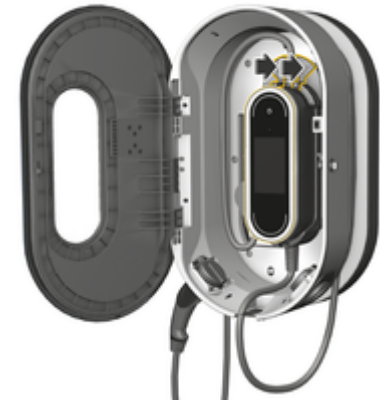


Fig. 11: Attaching the control unit

1. Open the door of the charging dock.
2. Disconnect the supply cable from the electrical socket.
3. Unwind the vehicle cable fully from the charging dock.
4. Detach the control unit from the mount by pressing the release rocker switch (arrow) and remove it.





## Technical Data

<b>Mechanical data for standard wall mount base</b>	
Wall mount base dimensions	385 mm × 135 mm × 65 mm (Length × Width × Height)
Weight of the wall mount base	approx. 0.45 kg
Cable guide dimensions	127 mm × 115 mm × 139 mm (Length × Width × Height)
Weight of cable guide	approx. 0.42 kg
Connector fastener dimensions	136 mm × 50 mm × 173 mm (Length × Width × Height)
Weight of connector fastener	approx. 0.14 kg
Weight of complete wall mount base	approx. 1 kg
<b>Mechanical data for charging dock</b>	
Charging dock dimensions	373 mm × 642 mm × 232 mm (Width × Height × Depth)
Weight of charging dock	approx. 9.7 kg
<b>Ambient and storage conditions</b>	
Ambient temperature	-30°C to +50°C
Humidity	5% – 95% non-condensing
Altitude	max. 5,000 m above sea level



## Index

### A

Attaching the control unit to the wall mount.....	4
Attaching the control unit to the charging dock.....	6

### C

Charging dock.....	6
Closing.....	6
Locking.....	6
Opening.....	6
Unlocking.....	6

### F

Fitting Charging Dock Fitting with spacer.....	5
Fitting the Charging Dock Assembly without spacer.....	5

### I

Installing the basic wall mount.....	3
Installing the connector fastener.....	4

### R

Removing the control unit from the charging dock..	6
Required tools.....	3

### S

Selecting the installation location.....	3
Symbols in this Owner's Manual.....	1

### T

Technical data Ambient and storage conditions.....	8
Mechanical data.....	8
Tools.....	3

### W

Warning notices setup.....	1
----------------------------	---